

SPECIFICATIONS



AAM™ 350 Architectural Dynamic Microphone

SPECIFICATIONS

Element Type:
Dynamic

Polar Pattern:
Cardioid

Front-to-Back Rejection:
20 dB (typical)

Impedance:
Low (300 ohms, balanced)

Frequency Response:
50 Hz to 18,000 Hz

Case Housing:
Die-cast alloy

Sensitivity:

Output Power Level:
-56 dB (0 dB = 1 mW/10 microbars*)

Open Circuit Voltage:
-76 dB (0 dB = 1 volt/dyne/cm²)

Hum Induction:

Equivalent to 9 dB SPL (Hum output of the microphone in a 1 milli Oersted field is equal to its output from a 9 dB SPL acoustic input)

Finish:

Low-gloss black Teflon based

Windscreen (Grille):

Machined steel

Pop Filter:

Integral dual mesh and acoustic foam

Connector:

3-pin XLR type

Phasing:

Positive (inward) pressure on diaphragm produces positive pulse at pin #2.

Weight:

8 oz. (227 grams)

Furnished Accessories:

Carrying case, swivel adaptor, foam windscreen, and 25' (7.6 m) balanced low impedance microphone cable with XLR-type connectors.

*10 microbars = 1 pascal = 10 dynes/cm²

FEATURES

- Smooth, wide-range frequency response
- Hum cancellation coil
- Internal tuned shock-mounting system
- Dual-stage acoustic foam pop and wind filter
- Rugged, reliable construction
- Slim, compact design
- Readily field-serviceable

DESCRIPTION

The AAM™ 350 is a cardioid architectural dynamic microphone designed for podium, stage, and a number of instrument applications.

Featuring a very smooth, wide-range frequency response and effective off-axis rejection, the AAM 350 provides clean and accurate sound reproduction, in addition to remarkable control of feedback and unwanted sound pickup.

The styling is clean and compact to present an inconspicuous, low-profile appearance on podiums, stands, and other stage environments.

The integral hum cancellation coil minimizes inductive pickup of hum and "buzz" from podium or stage lighting equipment, and from other electromagnetic fields.

The rugged steel grille contains an acoustic foam filter to minimize undesirable pop and wind noise effects. An external foam windscreen is also supplied for an extra level of protection in more than extreme outdoor conditions.

PEAVEY
ARCHITECTURAL ACOUSTICS

The AAM 350 also features a tuned shock mounting system to minimize mechanical noise pickup from the podium or stand.

PROXIMITY

Proximity effect is a naturally occurring phenomenon in unidirectional microphones. The effect is to accentuate or boost the low frequency response. This effect is a function of distance from the diaphragm to the source and increases as the diaphragm is moved closer to the source.

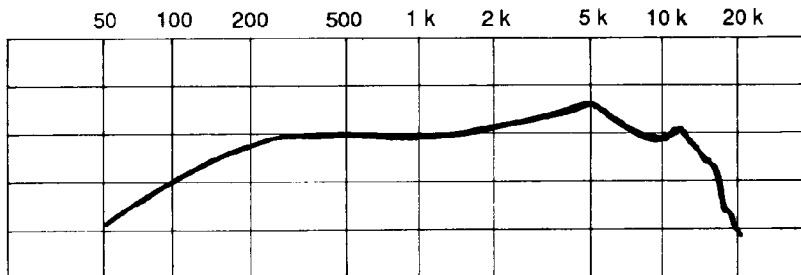
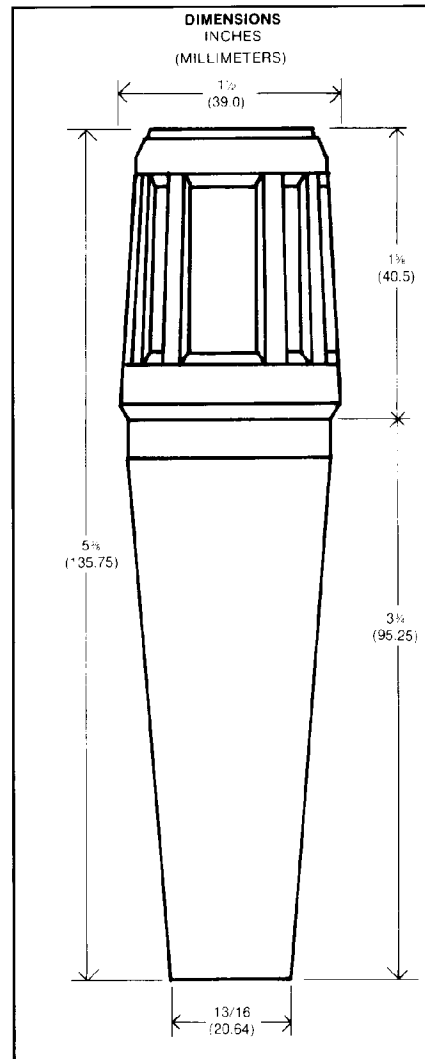
ARCHITECTURAL & ENGINEERING SPECIFICATIONS

The microphone shall be a moving coil dynamic with a frequency response of 50 Hz to 18 kHz. The microphone shall have a cardioid polar characteristic with a rear response that is 15 to 20 dB down. The microphone shall have an output power level of -56 dB where 0 dB = 1 mW/10 microbars and a nominal impedance rating of 300 ohms.

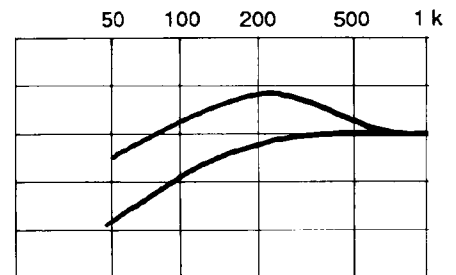
The microphone shall have non-reflecting, low-gloss black paint on a die-cast alloy housing and a machined steel grille.

The connector shall be a 3-pin XLR equivalent audio type and a swivel adaptor shall be provided to mount on a stand having 5/8" 27 thread.

The microphone shall have overall dimensions of 5-3/8" in length and 1-1/2" in diameter. The microphone shall be a Peavey Architectural Acoustics Division model AAM 350 or equivalent.

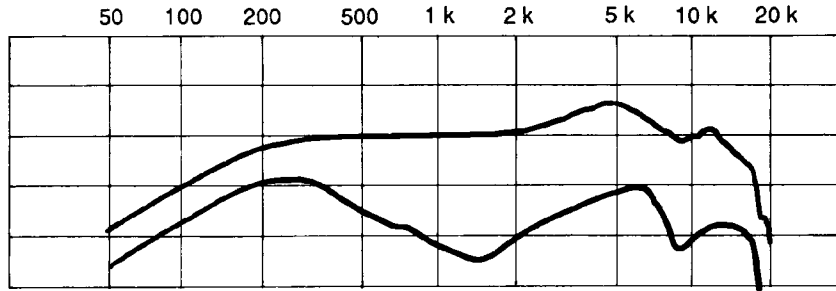
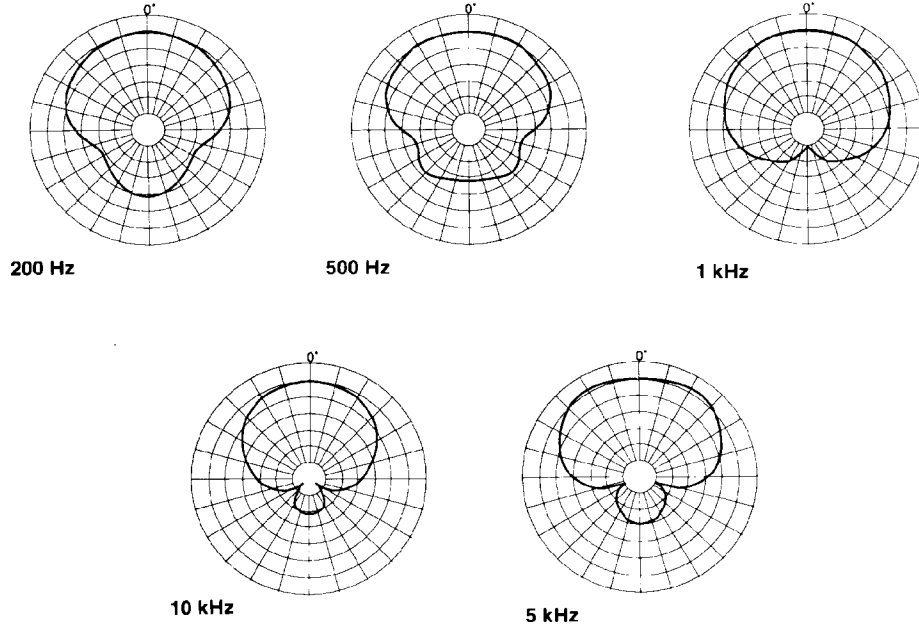


Frequency Response

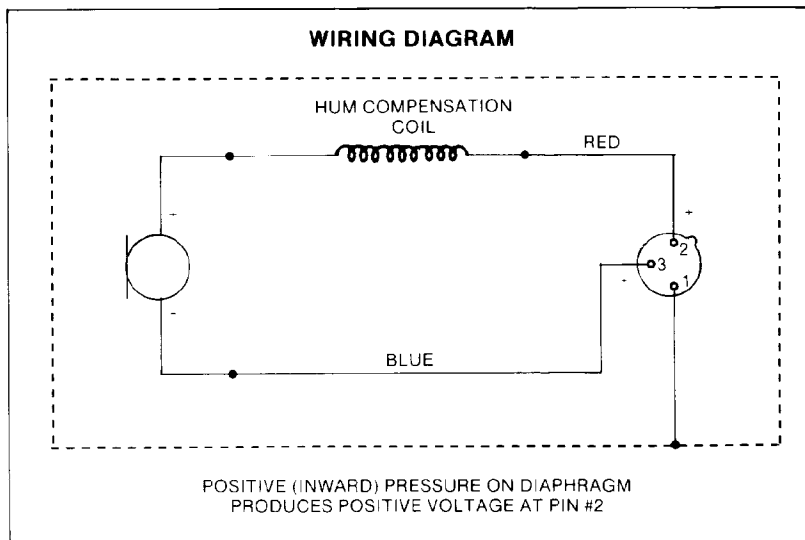


Proximity Effect

Figure 4. Polar Patterns



0° and 180° Response



PEAVEY MICROPHONE LIMITED WARRANTY/REMEDY

PEAVEY ELECTRONICS CORPORATION ("Peavey") warrants this microphone to the original retail purchaser to be free from defects in material and workmanship for a period of one (1) year from date of purchase; provided, however, that the existence of this limited warranty is subject to the conditions, exclusions and limitations hereinafter set forth.

In case of a covered defect in material or workmanship, Peavey will repair or replace the microphone, at Peavey's option, provided that consumer:

(a) brings the defective microphone to any Peavey Authorized Dealer or Service Center and presents therewith a copy of the sales receipt or other proof of purchase. If the DEALER or SERVICE CENTER is unable to provide the necessary warranty service, the consumer will be directed to the nearest other PEAVEY AUTHORIZED DEALER or SERVICE CENTER which can provide such service; or

(b) returns the defective microphone, shipping charges prepaid, to Peavey Electronics Corporation, 326 Hwy. 11 & 80 East, Meridian, Mississippi, and includes therewith a written description of the problem, a copy of the sales receipt or other proof of purchase and consumer's complete return address.

If the defect is remedial under this limited warranty and the other terms and conditions expressed herein have been complied with, Peavey will provide the necessary warranty service to repair or replace the microphone and will return it, freight collect, to the consumer.

Under no circumstances will Peavey be liable for any lost profits, lost savings or other consequential or incidental damages arising out of the use or inability to use the product, even if Peavey had been advised of the possibility of such damage.

THIS LIMITED WARRANTY IS IN LIEU OF ANY AND ALL WARRANTIES, EXPRESSED OR IMPLIED, INCLUDING, BUT NOT LIMITED TO, THE IMPLIED WARRANTIES OF MERCHANTABILITY AND FITNESS FOR PARTICULAR USE; provided, however, that upon compliance with the other terms and conditions necessary to the existence of the express limited warranty, such implied warranties are not disclaimed during the applicable one year period from date of purchase of this product.

SOME STATES DO NOT ALLOW LIMITATIONS ON HOW LONG AN IMPLIED WARRANTY LASTS OR THE EXCLUSION OR LIMITATION OF INCIDENTAL OR CONSEQUENTIAL DAMAGES, SO THE ABOVE LIMITATIONS OR EXCLUSIONS MAY NOT APPLY TO YOU, THIS LIMITED WARRANTY GIVES YOU SPECIFIC LEGAL RIGHTS, AND YOU MAY ALSO HAVE OTHER RIGHTS WHICH MAY VARY FROM STATE TO STATE.

In the event any modification or disclaimer of express or implied warranties or any limitation of remedies contained herein conflicts with applicable law, then such modification, disclaimer or limitation as the case may be, shall be deemed to be modified to the extent necessary to comply with such law.

Peavey Electronics Corporation gives this limited warranty only with respect to Peavey microphones purchased in the United States of America. This limited warranty shall be void and of no effect if:

- (a) first purchase of the product is for the purpose of resale; or
- (b) the original retail purchase is not made from an AUTHORIZED PEAVEY DEALER; or
- (c) the product has been damaged by accident or unreasonable use, neglect, improper service or maintenance, or other causes not arising out of defects in material or workmanship.



Features and specifications subject to change without notice.

Peavey Electronics Corporation 711 A Street / Meridian, MS 39301 / U.S.A. / (601) 483-5365 / Fax: 486-1278

©1995

#80302384

Printed in U.S.A. 9/95