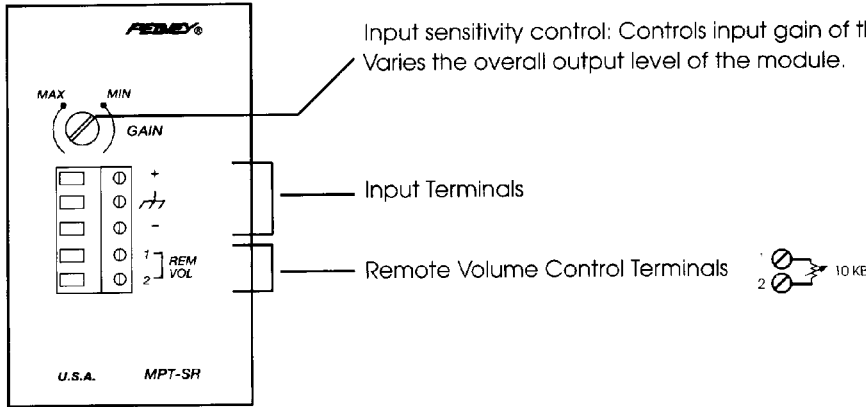




MA™ SERIES MODULE MPT™ -SR

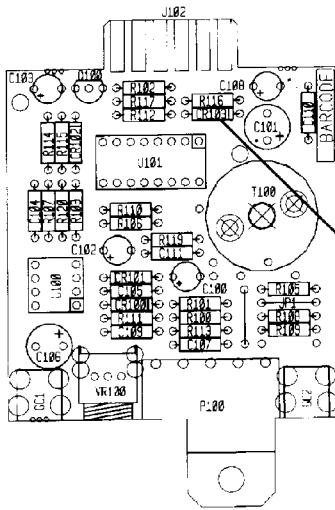
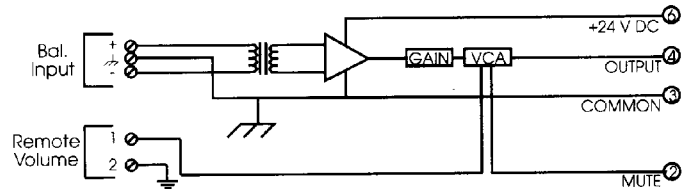
Transformer Balanced Mic Preamp with Screw Terminals, Muting, and Remote Volume Capabilities



INSTALLATION:

The module installs at the rear panel of product accepting the standard 6-pin card-edge connection. Align card-edge connector with top and bottom circuit board guides. Snap module into card-edge socket, push flush with rear panel, and install (furnished) mounting screws.

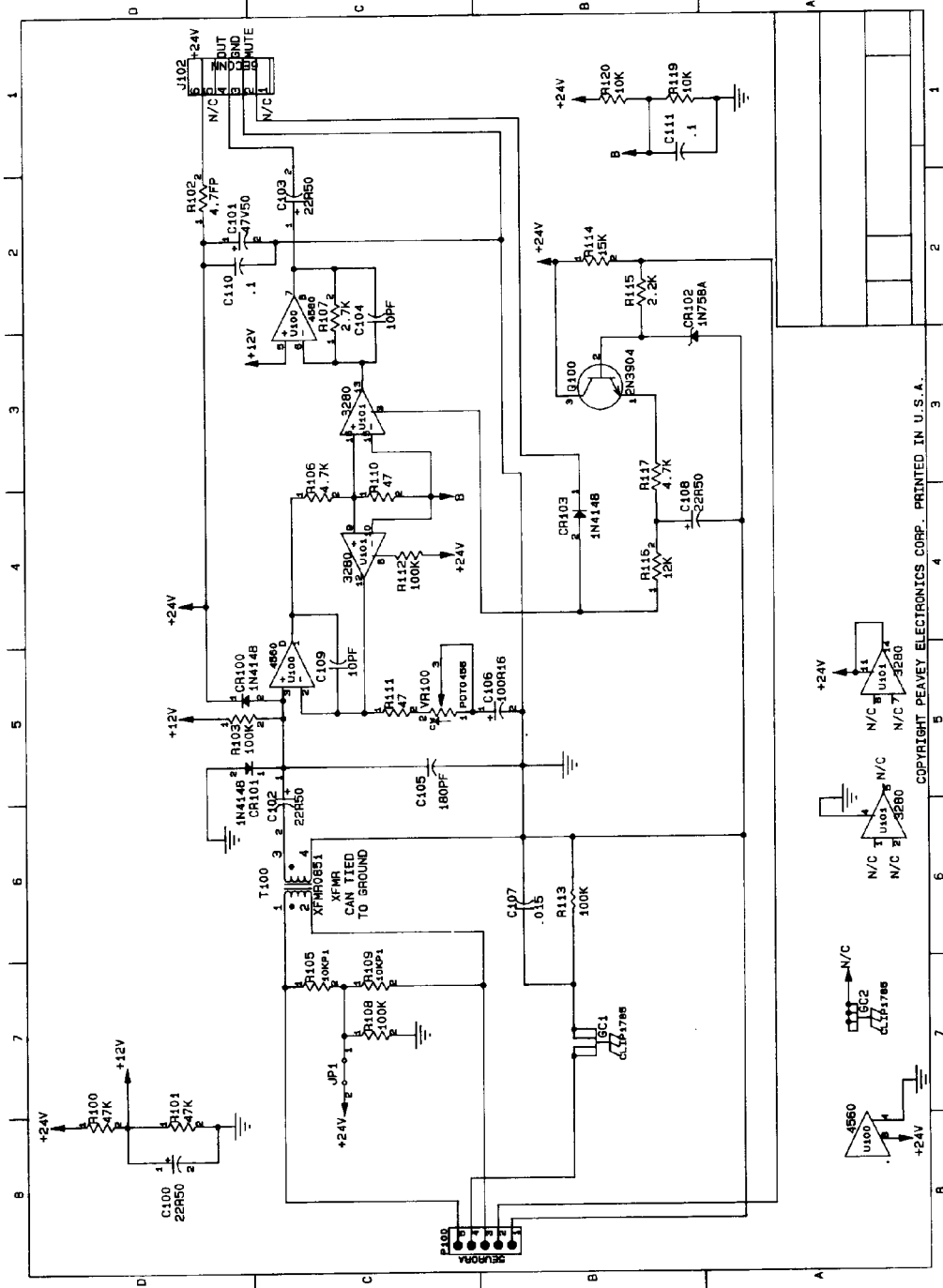
BLOCK DIAGRAM



SPECIFICATIONS:

Gain:	-4 dB to 51 dB
Input Sensitivity:	0.28 mV to 160 mV
Frequency Response:	30 Hz to 20 kHz \pm 1 dB (at nominal gain setting)
EIN: (20 - 20 kHz)	-123 dBu (200 ohms terminated)
Distortion: (1 kHz)	<0.1% with 1 mV input
Source Impedance:	200 ohms
Muting Level:	60 dB
Remote Volume Range:	0 to -60 dB
Phantom Power	24 V DC (Defeatable)
Power:	24 V DC
Control:	Gain
Mounting:	Edge Card Connector
Weight:	2.9 oz.
Dimensions:	3.07" H x 1.38" W x 3.46" D
Load Impedance:	10 Kilohms

To defeat muting, remove CR103.



Features and specifications subject to change without notice.

A Division of Peavey Electronics Corporation
 711 A Street / Meridian, MS 39301 / U.S.A. / (601) 483-5376 / Telex 504115 / Fax 486-1278
 #80302206

©1994

Printed in U.S.A. 11/94

COPYRIGHT PEAVEY ELECTRONICS CORP. PRINTED IN U.S.A.