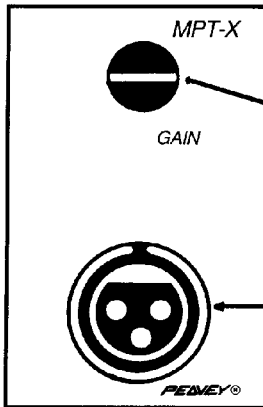




MA™ SERIES MODULE MPT™-X

Transformer Balanced Mic Preamp With XLR



Input sensitivity control, controls input gain of the module.

Varies the overall output level of the module

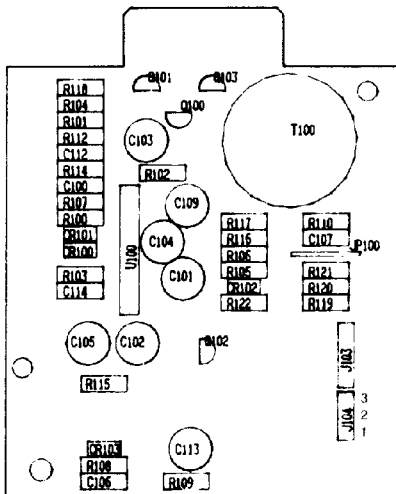
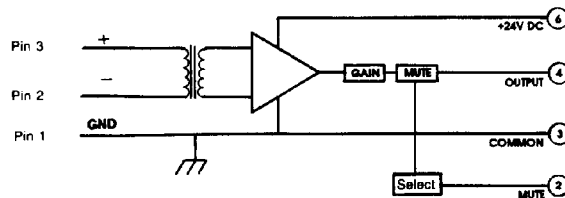
XLR input panel, providing transformer balanced input.

Pin #3 is positive; pin #2 is negative; and pin #1 is ground.

INSTALLATION

The module installs at the rear panel of product accepting the standard 6-pin card-edge connection. Align card-edge connector with top and bottom circuit board guides. Snap module into card-edge socket, push flush with rear panel, and install (furnished) mounting screws.

BLOCK DIAGRAM



SPECIFICATIONS

Gain:	31 to 51 dB
Input Sensitivity:	0.28 mV to 2.8 mV
Frequency Response:	±1 dB 30 Hz to 20 kHz
EIN: (20 - 20 kHz)	-123 dBu (200 ohms terminated)
Distortion: (1 kHz)	<0.1% with 1 mV input
Source Impedance:	200 ohms
Muting:	Mute Master or Mute Slave (selectable)
Attenuation (Slave):	60 dB
Phantom Power:	24V DC (Defeatable)
Power:	24V DC (13 mA)
Control:	Gain
Mounting:	Edge card connector
Weight:	2.9 oz.
Dimensions:	3.07" H x 1.38" W x 3.46" D
Load Impedance:	10K ohms

Mute Select: (1) Mute Slave: Place jumper between pins 1 and 2
 (2) Mute Master: Place jumper between pins 2 and 3
 (3) No Mute: Remove 2 circuit jumper

* Shipped In mute master position

