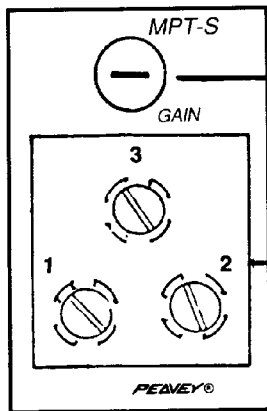




MA™ SERIES MODULE MPT™-S

Transformer Balanced Mic Preamp w/Screw Terminal



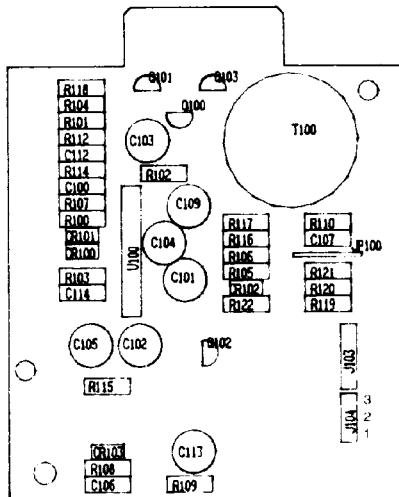
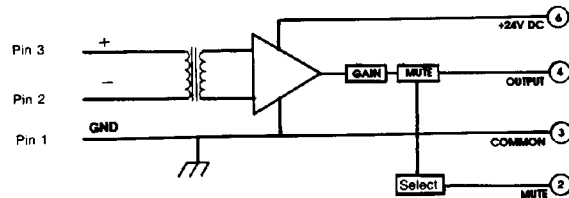
Input sensitivity control, controls input gain of the module.
Varies the overall output level of the module.

Screw terminal input panel, providing transformer balanced input.
Terminal #3 is positive; terminal #2 is negative; and terminal #1 is ground.

INSTALLATION

The module installs at the rear panel of product accepting the standard 6-pin card-edge connection. Align card-edge connector with top and bottom circuit board guides. Snap module into card-edge socket, push flush with rear panel, and install (furnished) mounting screws.

BLOCK DIAGRAM



SPECIFICATIONS

Gain:	31 to 51 dB
Input Sensitivity:	0.28 mV to 2.8 mV
Frequency Response:	±1 dB 30 Hz to 20 kHz
EIN: (20 - 20 kHz)	-123 dBu (200 ohms terminated)
Distortion: (1 kHz)	<0.1% with 1 mV input
Source Impedance:	200 ohms
Muting:	Mute Master or Mute Slave (selectable)
Attenuation (Slave):	60 dB
Phantom Power:	24V DC (Defeatable)
Power:	24V DC (13 mA)
Control:	Gain
Mounting:	Edge card connector
Weight:	2.9 oz.
Dimensions:	3.07" H x 1.38" W x 3.46" D
Load Impedance:	10K ohms

Mute Select: (1) Mute Slave: Place jumper between pins 1 and 2
(2) Mute Master: Place jumper between pins 2 and 3
(3) No Mute: Remove 2 circuit jumper

* Shipped in mute master position

