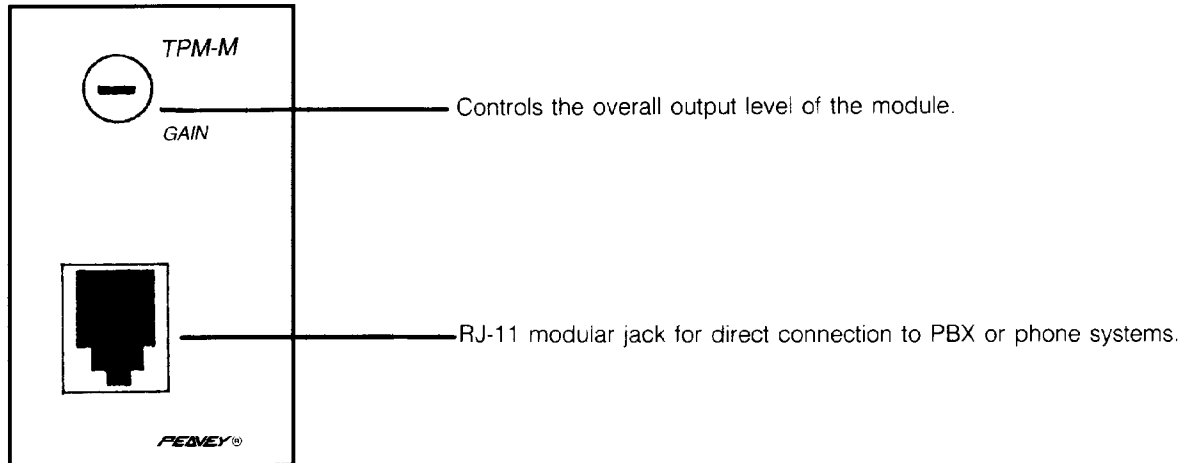




# MA™ SERIES MODULE TPM™-M

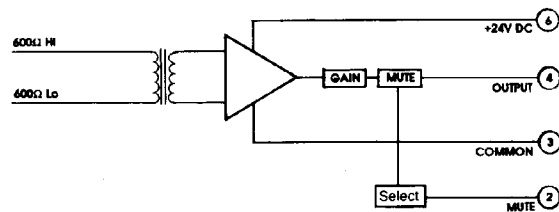
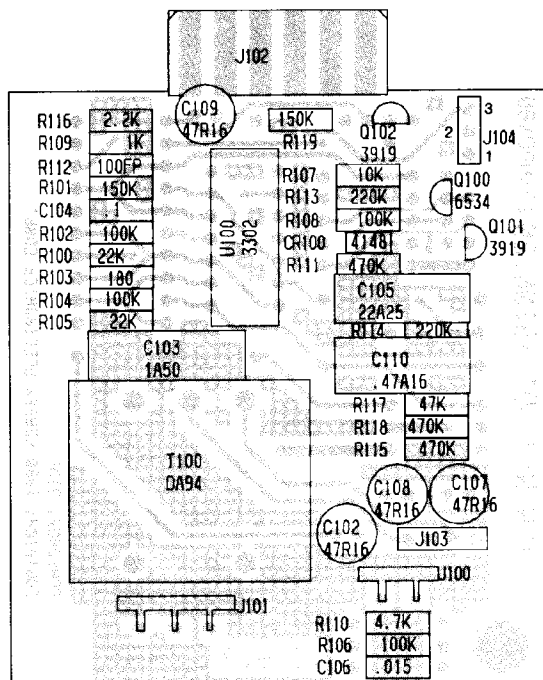
Telephone Paging Module w/RJ-11 Connector



## INSTALLATION

The module installs at the rear panel of product accepting the standard 6-pin card-edge connection. Align card-edge connector with top and bottom circuit board guides. Snap module into card-edge socket, push flush with rear panel, and install (furnished) mounting screws.

## BLOCK DIAGRAM

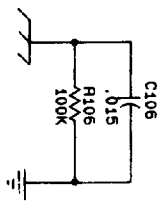
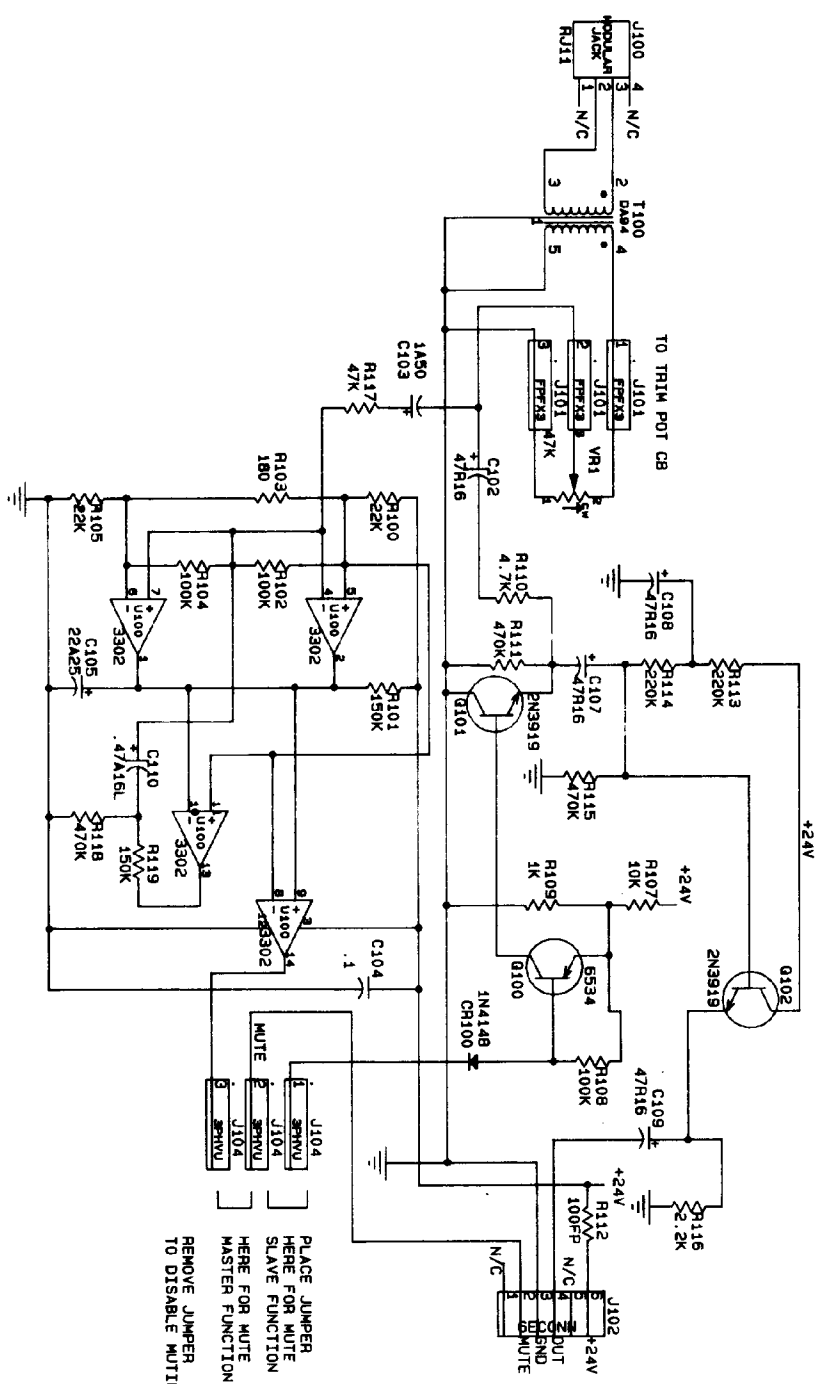


## SPECIFICATIONS

<b>Gain: (PAD)</b>	-0.5 to -75 dB
<b>Input Sensitivity:</b>	110 mV minimum
<b>Frequency Response:</b>	±1 dB 20 Hz to 20kHz
<b>S/N Ratio:</b>	> 80 dB (Reference to 100 mV out)
<b>Distortion: (1kHz)</b>	< 0.02% at 100 mV output
<b>Source Impedance:</b>	600 ohms
<b>Muting:</b>	Mute Master or Mute Slave (selectable)
<b>Attenuation (Slave):</b>	60 dB
<b>Power:</b>	24V DC (8 mA)
<b>Control:</b>	Gain
<b>Mounting:</b>	Edge card connector
<b>Weight:</b>	3.6 oz.
<b>Dimensions:</b>	3.07" H x 1.38" W x 3.46" D
<b>Load Impedance:</b>	10K ohms

Mute Select: (1) Mute Slave: Place 2 circuit jumper between pins 1 and 2  
 (2) Mute Master: Place 2 circuit jumper between pins 2 and 3  
 (3) No Mute: Remove 2 circuit jumper

\* Shipped as a mute master



J104  
 1 30VU  
 2 30VU  
 3 30VU  
 4 30VU  
 5 30VU  
 6 30VU  
 7 30VU  
 8 30VU  
 9 30VU  
 10 30VU  
 REMOVE JUMPER  
 TO DISABLE MUTING

TPM-M

PEAVEY ELECTRONICS CORP.	
711 A ST.	
MERIDIAN, MS	
DRAWN BY	DATE
C.B. CK.	
CK. BY	
APPR. BY	

COPYRIGHT 1990 PEAVEY ELECTRONICS CORP. PRINTED IN U.S.A.  
 Features and specifications subject to change without notice.

A Division of Peavey Electronics Corporation  
 711 A Street / Meridian, MS 39301 / U.S.A. / (601) 483-5376 / Telex 504115 / Fax 486-1278  
 #80301314 Printed in U.S.A. 11/94

©1994