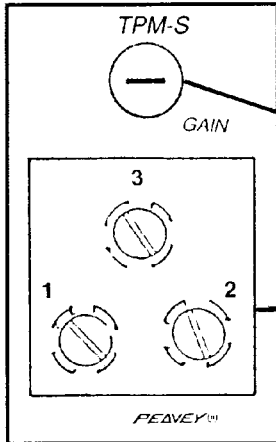




MA™ SERIES MODULE TPM™-S

Telephone Paging Module w/Screw Terminal



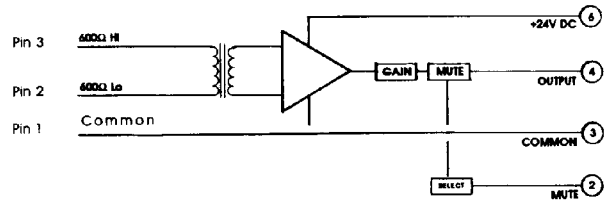
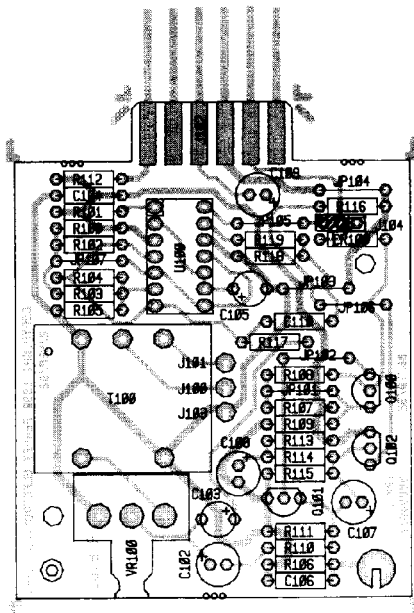
Controls the overall output level of the module.

Screw terminal input panel, providing transformer balanced input. Terminal #3 is positive; terminal #2 is negative; and terminal #1 is ground.

INSTALLATION

The module installs at the rear panel of product accepting the standard 6-pin card-edge connection. Align card-edge connector with top and bottom circuit board guides. Snap module into card-edge socket, push flush with rear panel, and install (furnished) mounting screws.

BLOCK DIAGRAM

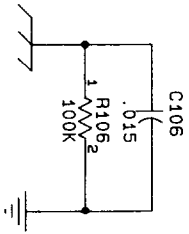
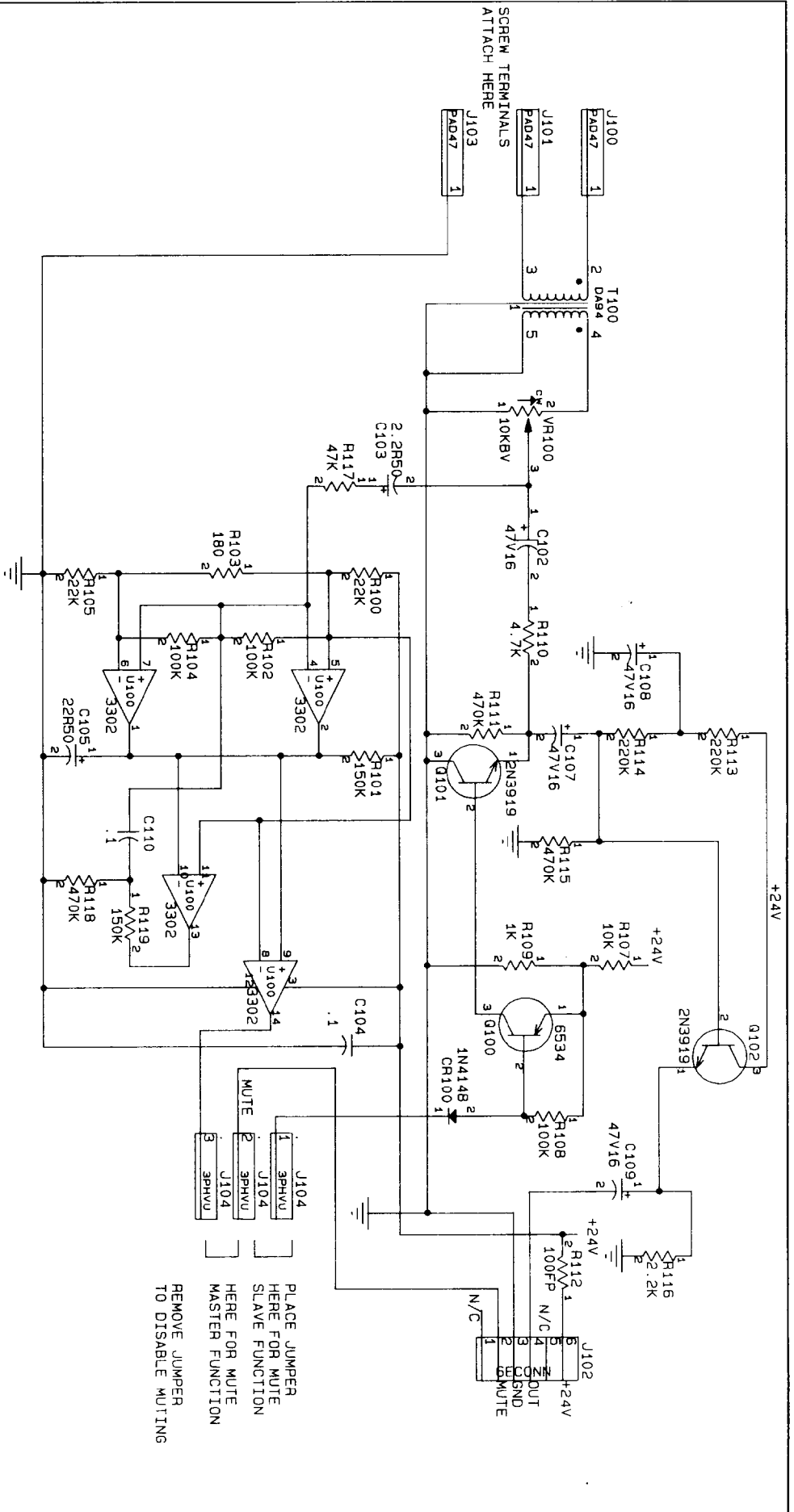


SPECIFICATIONS

Gain: (PAD)	-0.5 to -75 dB
Input Sensitivity:	110 mV minimum
Frequency Response:	±1 dB 20 Hz to 20kHz
S/N Ratio:	>80 dB (Reference to 100 mV out)
Distortion: (1 kHz)	<0.02% at 100 mV output
Source Impedance:	600 ohms
Muting:	Mute Master or Mute Slave (selectable)
Attenuation (Slave):	60 dB
Power:	24V DC (8 mA)
Control:	Gain
Mounting:	Edge card connector
Weight:	3.6 oz.
Dimensions:	3.07" H x 1.38" W x 3.46" D
Load Impedance:	10K ohms

Mute Select: (1) Mute Slave: Place jumper between pins 1 and 2
 (2) Mute Master: Place jumper between pins 2 and 3
 (3) No Mute: Remove 2 circuit jumper

* Shipped in mute master position



J104 1 3PHVU
 J104 2 3PHVU
 J104 3 3PHVU
 PLACE JUMPER
 HERE FOR MUTE
 SLAVE FUNCTION
 HERE FOR MUTE
 MASTER FUNCTION
 REMOVE JUMPER
 TO DISABLE MUTING

PEAVEY ELECTRONICS CORP.			
711 A STREET			
MERIDIAN, MS 39301			
TITLE IPM-S			
SIZE	CODE	NUMBER	REV
B		19200035	
DATE	21-JUL-92	SHEET	1 OF 1

Features and specifications subject to change without notice.