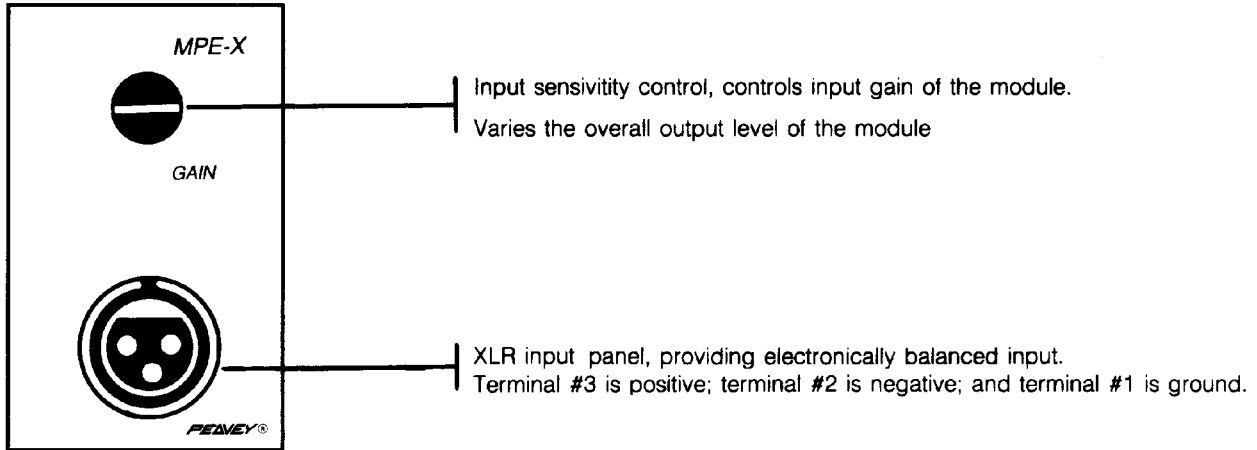




# MA™ SERIES MODULE MPE™-X

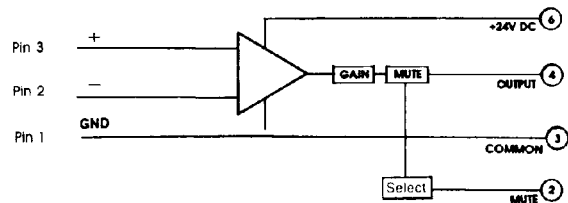
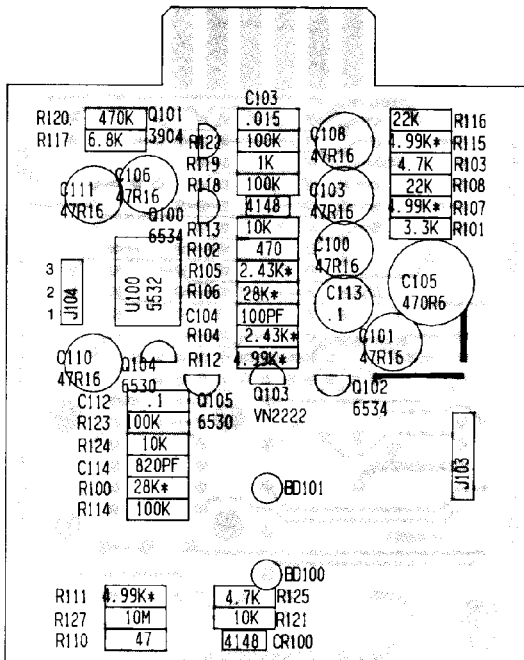
Electronically Balanced Mic Preamp With XLR



## INSTALLATION

The module installs at the rear panel of product accepting the standard 6-pin card-edge connection. Align card-edge connector with top and bottom circuit board guides. Snap module into card-edge socket, push flush with rear panel, and install (furnished) mounting screws.

## BLOCK DIAGRAM



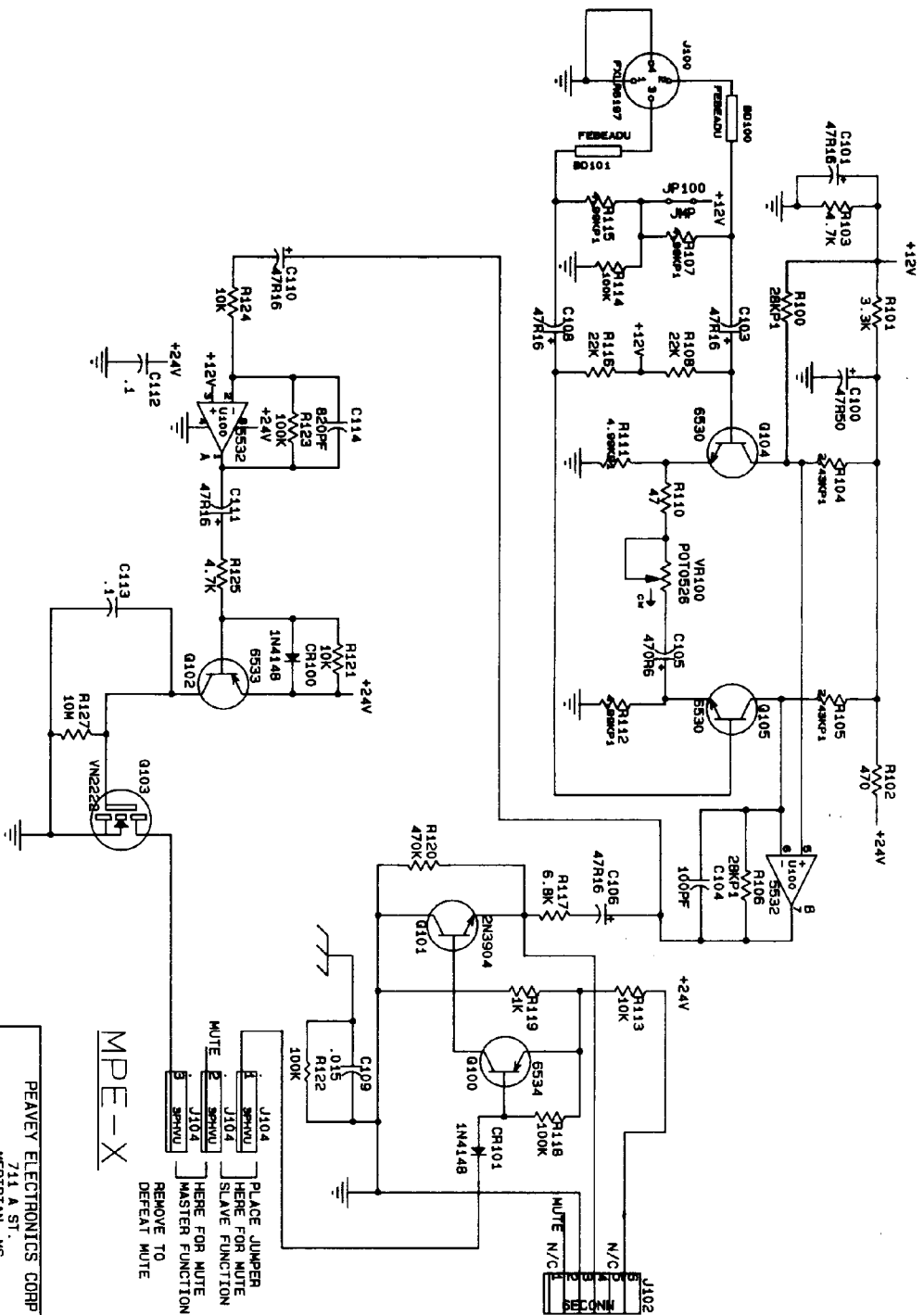
Clip jumper to defeat phantom power

## SPECIFICATIONS

- Gain:** 13 to 53 dB
- Input Sensitivity:** 0.25 mV to 22 mV
- Frequency Response:** ±1 dB 20 Hz to 20 kHz
- EIN: (20 - 20 kHz)** -123 dBu (200 ohms terminated)
- Distortion: (1 kHz)** < 0.1% with 1 mV input
- Source Impedance:** 200 ohms
- Muting:** Mute Master or Mute Slave (selectable)
- Attenuation (Slave):** 60 dB
- Phantom Power:** 12V DC (Defeatable)
- Power:** 24V DC (13 mA)
- Control:** Gain
- Mounting:** Edge card connector
- Weight:** 2.6 oz.
- Dimensions:** 3.07" H x 1.38" W x 3.46" D
- Load Impedance:** 10K ohms

Mute Select: (1) Mute Slave: Place jumper between pins 1 and 2  
(2) Mute Master: Place jumper between pins 2 and 3  
(3) No Mute: Remove 2 circuit jumper

\* Shipped in mute master position



**MPE-X**

J104 PLACE JUMPER  
 J104 HERE FOR MUTE  
 J104 SLAVE FUNCTION  
 J104 MASTER FUNCTION  
 J104 REMOVE TO  
 DEFEAT MUTE

PEAVEY ELECTRONICS CORP.	
711 A ST.	
MERIDIAN, MS	
DRAWN BY	DATE
C.B. OK.	
OK. BY	
APPR. BY	

COPYRIGHT 1990 PEAVEY ELECTRONICS CORP. PRINTED IN U.S.A. P/N 81510950  
 Features and specifications subject to change without notice.  
 A Division of Peavey Electronics Corporation  
 711 A Street / Meridian, MS 39301 / U.S.A. / (601) 483-5376 / Fax 486-1278  
 ©1990 Printed in U.S.A. 11/90  
 #80301312