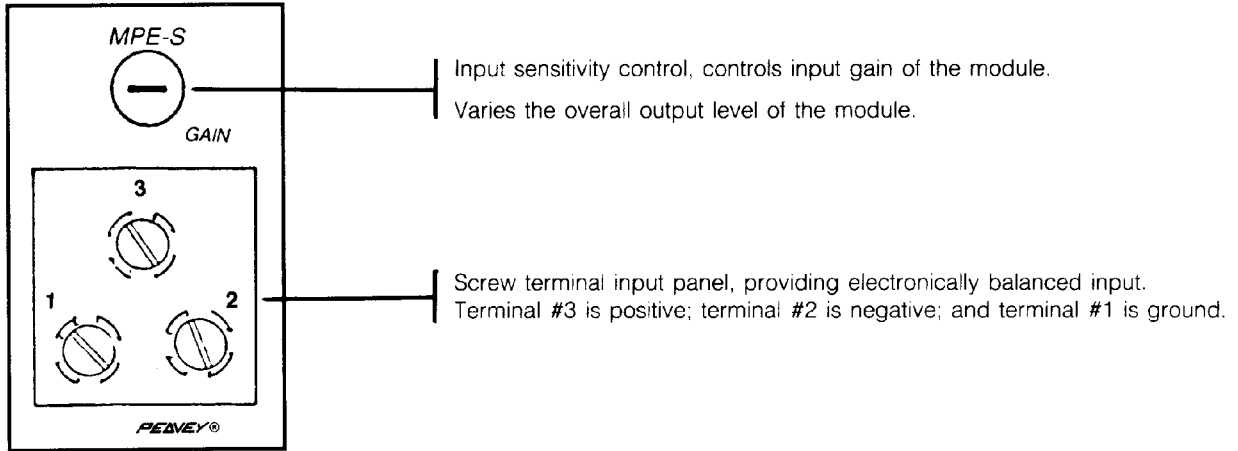




MA™ SERIES MODULE MPE™-S

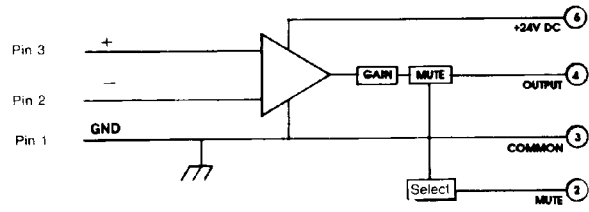
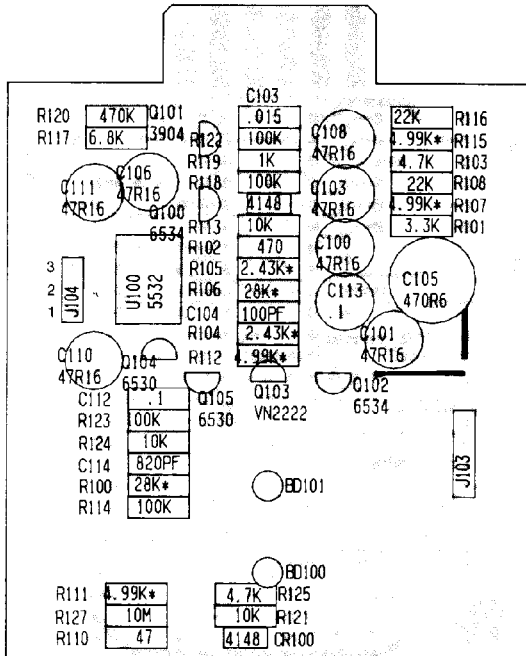
Electronically Balanced Mic Preamp w/Screw Terminal



INSTALLATION

The module installs at the rear panel of product accepting the standard 6-pin card-edge connection. Align card-edge connector with top and bottom circuit board guides. Snap module into card-edge socket, push flush with rear panel, and install (furnished) mounting screws.

BLOCK DIAGRAM

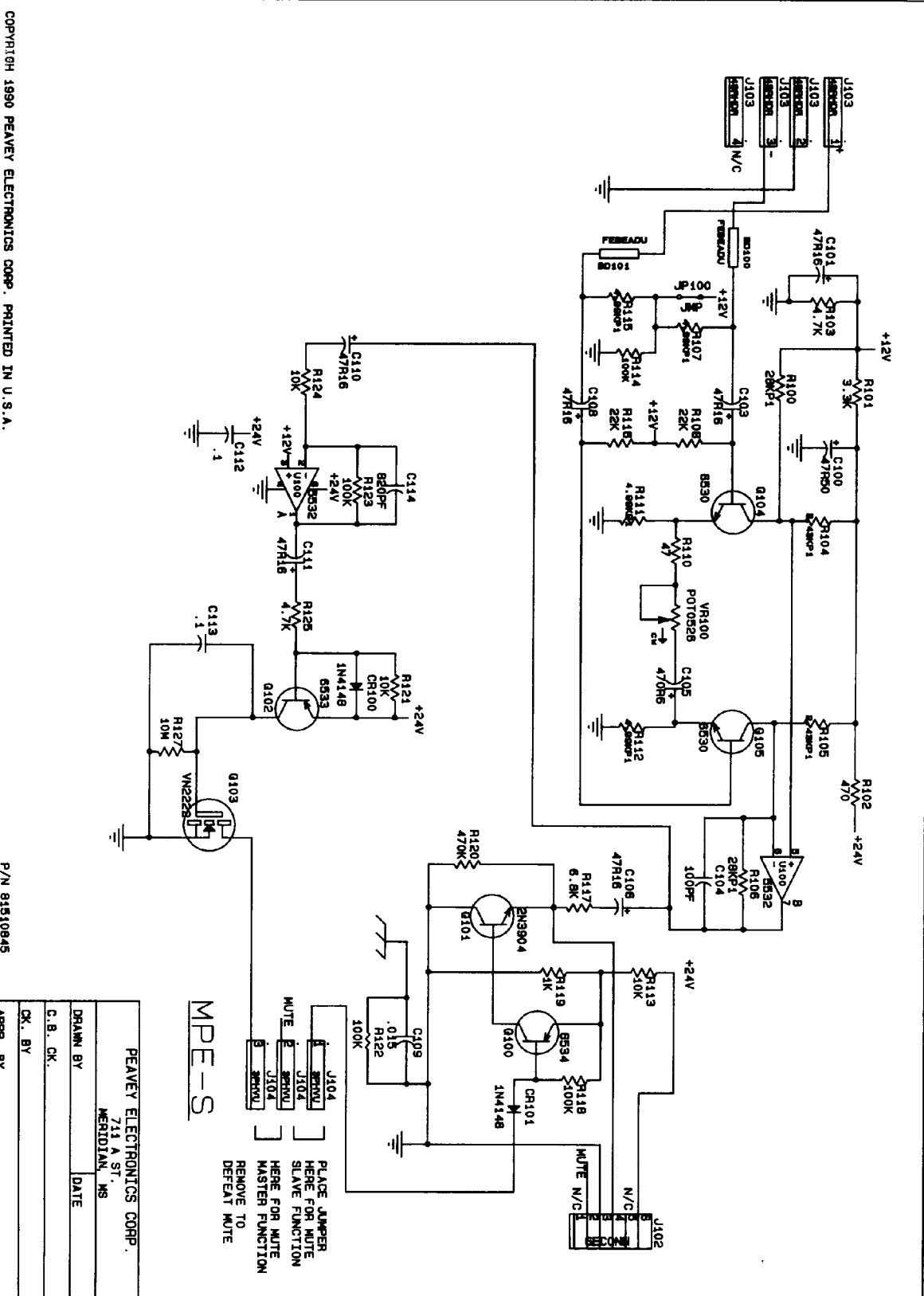


SPECIFICATIONS

- Gain:** 13 to 53 dB
- Input Sensitivity:** 0.25 mV to 22 mV
- Frequency Response:** ±1 dB 20 Hz to 20 kHz
- EIN: (20 - 20 kHz)** -123 dBu (200 ohms terminated)
- Distortion: (1 kHz)** < 0.1% with 1 mV input
- Source Impedance:** 200 ohms
- Muting:** Mute Master or Mute Slave (selectable)
- Attenuation (Slave):** 60 dB
- Phantom Power:** 12V DC (Defeatable)
- Power:** 24V Dc (13 mA)
- Control:** Gain
- Mounting:** Edge card connector
- Weight:** 2.6 oz.
- Dimensions:** 3.07" H x 1.38" W x 3.46" D
- Load Impedance:** 10K ohms

Mute Select: (1) Mute Slave: Place jumper between pins 1 and 2
 (2) Mute Master: Place jumper between pins 2 and 3
 (3) No Mute: Remove 2 circuit jumper

* Shipped in mute master position



COPYRIGHT 1990 PEAVEY ELECTRONICS CORP. PRINTED IN U.S.A.

Features and specifications subject to change without notice.

P/N 81510945

©1990

A Division of Peavey Electronics Corporation
 711 A Street / Meridian, MS 39301 / U.S.A. / (601) 483-5376 / Telex 504115 / Fax 486-1278
 #80301311 Printed in U.S.A. 11/90

PEAVEY ELECTRONICS CORP.	
711 A ST.	
MERIDIAN, MS	
DRAWN BY	DATE
C.B. CK.	
CK. BY	
APPR. BY	

MPE-S

PLACE JUMPER
 HERE FOR MUTE
 SLAVE FUNCTION
 HERE FOR MUTE
 MASTER FUNCTION
 REMOVE TO
 DEFEAT MUTE