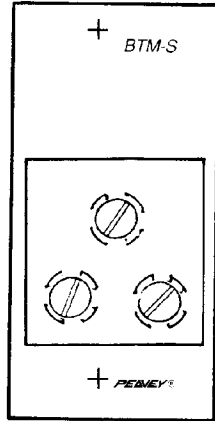


MA™ SERIES MODULE BTM™-S

Bridging input module with screw terminal

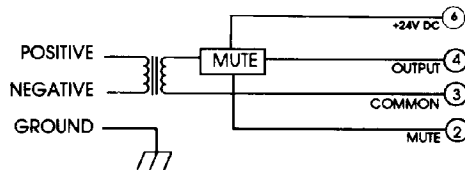


Screw terminal input panel, providing transformer isolated termination at 10K ohm or 600 ohms.

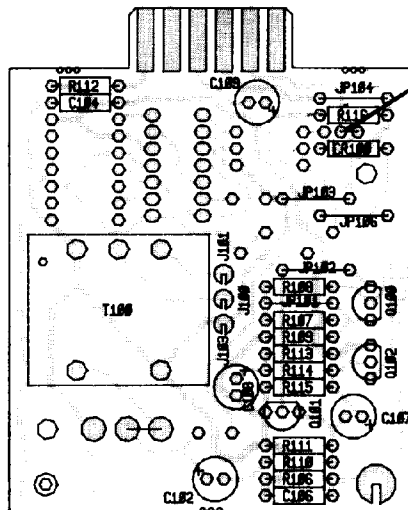
Terminal #3 is positive; terminal #2 is negative; and terminal #1 is ground.

INSTALLATION:

The module installs at the rear panel of products accepting the standard 6-pin card-edge module connection. Align card-edge connector with top and bottom circuit board guides. Snap module into card-edge socket, push flush with rear panel and install (furnished) mounting screws.



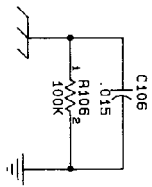
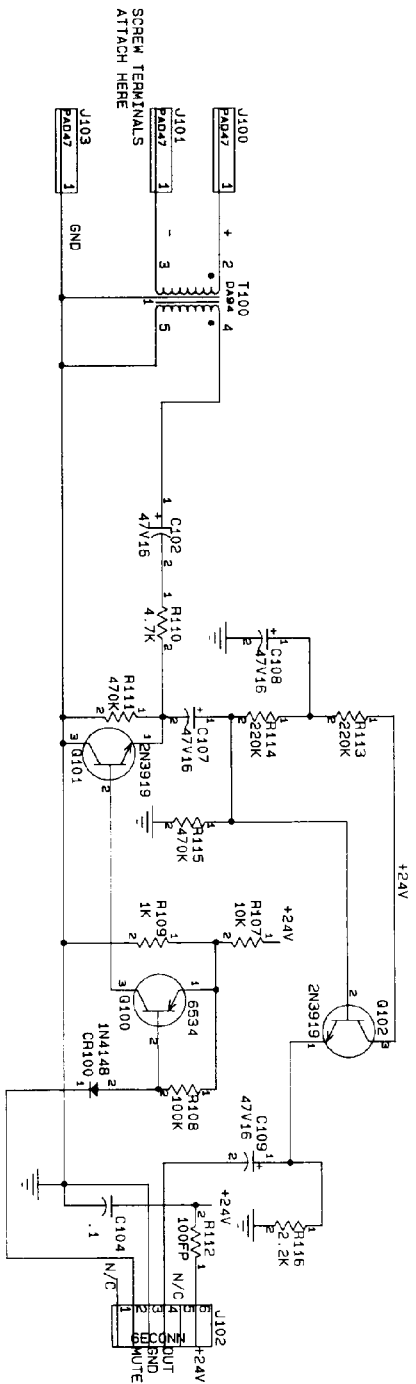
BLOCK DIAGRAM



Clip this jumper to defeat mute-slave function

SPECIFICATIONS:

Gain:	-1 dB
Input Sensitivity:	125 mV
Maximum Input Level:	20 dBm
Muting Level:	60 dB
Frequency Response:	20 Hz - 20 kHz \pm 1dB
Source Impedance:	10K ohms balanced
Load Impedance:	10K ohms
Power Requirement:	24V DC
Mounting:	Edge card connector
Weight:	2.7 oz.
Dimensions:	3.07" H x 1.38" W x 3.46" D



PEAVEY ELECTRONICS CORP. 711 A STREET MERIDIAN, MS 39301	
TITLE	BTM-S
SIZE	CODE NUMBER
B	
DATE	21-JUL-92
SHEET	1 OF 1

Features and specifications subject to change without notice.

A Division of Peavey Electronics Corporation

711 A Street, P. O. Box 2898, Meridian, MS 39302-2898 / (601) 483-5376 / Telex: 504115 / Fax: (601) 484-4278
 #80301266 Rev. 10/26/92 Printed in U.S.A. 10/92

©1992