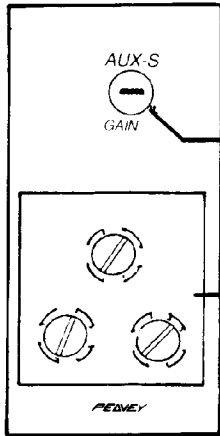




MA™ SERIES MODULE AUX-S

Auxiliary Preamp Module With Muting

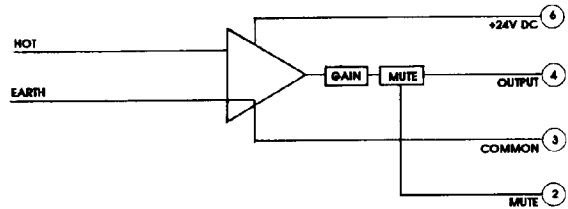


Controls overall output level of the module

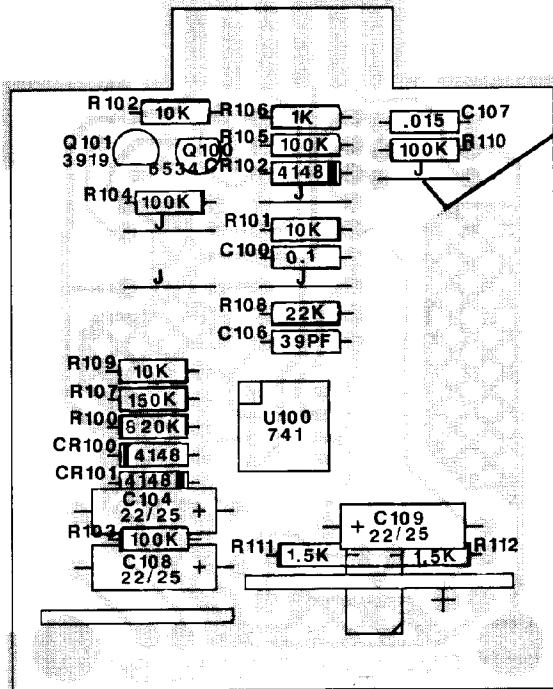
Screw terminal input panel. Terminal no. 3 is positive.
Terminals 2 and 1 are ground.

INSTALLATION:

The module installs at the rear panel of products accepting the standard 6-pin card-edge module connection. Align card-edge connector with top and bottom circuit board guides. Snap module into card-edge socket, push flush with rear panel and install (furnished) mounting screws.



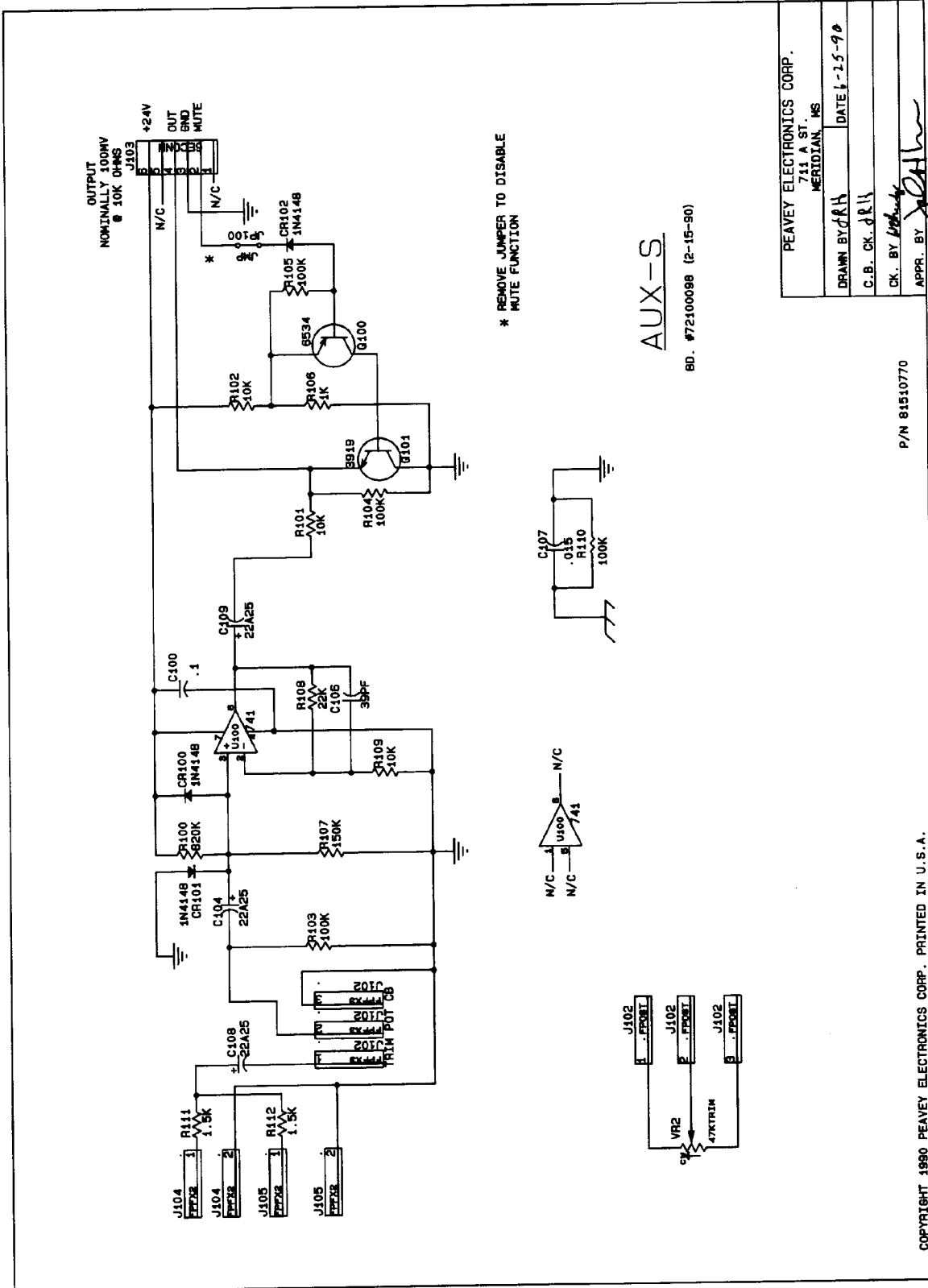
BLOCK DIAGRAM



To defeat muting capabilities clip this jumper

SPECIFICATIONS:

- Gain:** 0 to -30 dB
- Input Sensitivity:** 100 mV - 3.2V
- Frequency Response:** 20 Hz to 20 kHz ± 5 dB
- S/N Ratio:** 90 dB
- Muting Level:** 60 dB
- Power:** +24V DC
- Control:** Gain
- Mounting:** Edge card connector
- Weight:** 2.7 oz.
- Dimensions:** 3.07" H x 1.38" W x 3.46" D
- Load Impedance:** 10K ohm



Features and specifications subject to change without notice.

Peavey Electronics Corporation 711 A Street / Meridian, MS 39302-2898 / U.S.A. / (601) 483-5365 / Telex: 504115 / Fax: 484-4278